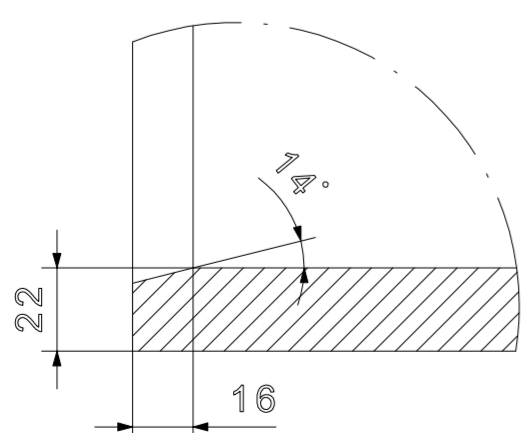
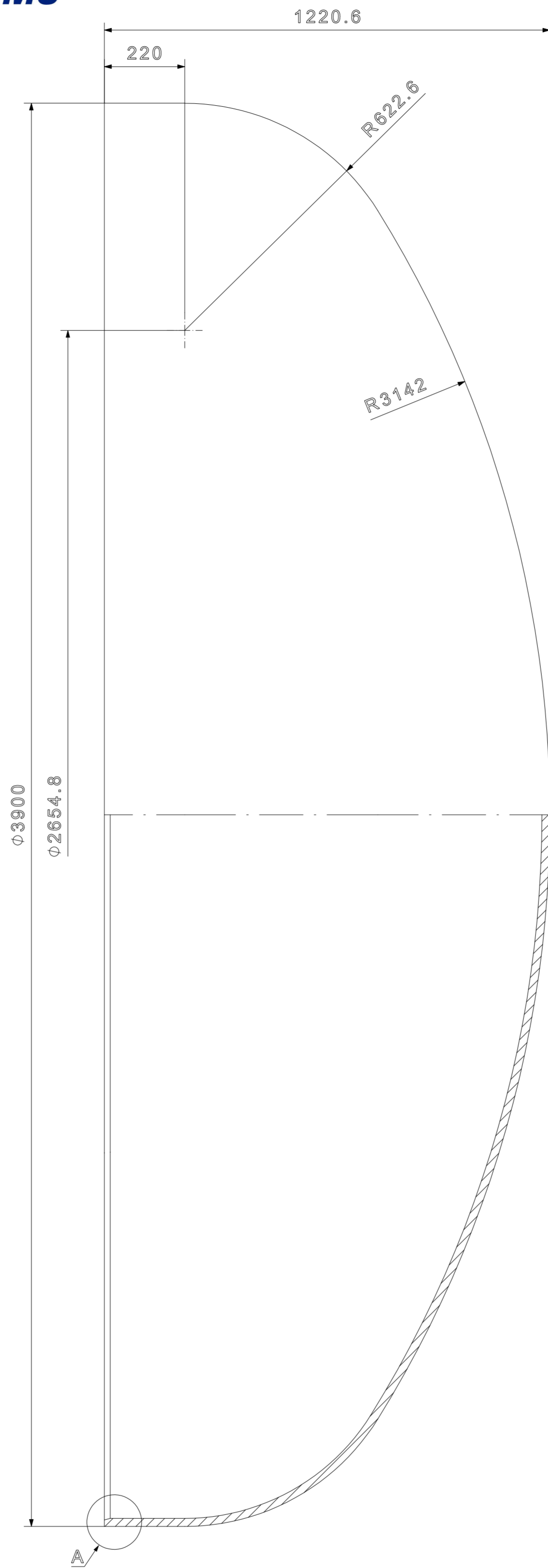


REVISION	DATE	CHANGE DESCRIPTION	PROVIDE BY
01	2019-03-27	Standards were changed, dimensions were added.	Bieganowski
02	2019-11-09	Drawing number has been changed, number of elements has been changed, remarks has been updated.	Bieganowski



Detail A
Scale 1:2

REMARKS:

1. Dimensions without tolerance in according to ISO 13920-BF, ISO 2768-mK.
2. Part make in according to DIN 28013.
3. Minimum thickness of a dish end should not be less than 22 mm.

Drawings are property of REMONTOWA LNG SYSTEMS SP. z o.o. and can not be copied photographed or made available to third parties without permission.

DRAWING TITLE

Dish end (without hole)

DREW	DATE	SIZE	DRAWING NUMBER	MATERIAL	REVISION
mgr inż. M. Bieganowski	2018-11-15	A2	RLS.01.032.01	1.4404	02
CHECKED	DATE	SCALE	WEIGHT (kg)	QUANTITY	SHEET
dr inż. J. Polński		1:10	3 300,19	1	1/1
DESIGNED	DATE				
dr hab. inż. J. Skrzypacz					