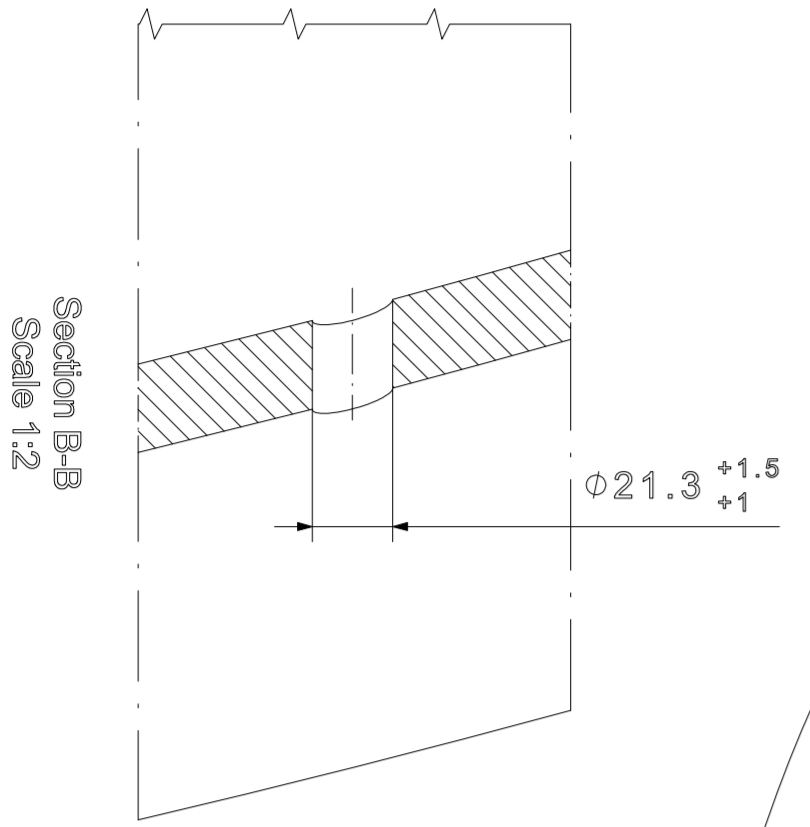
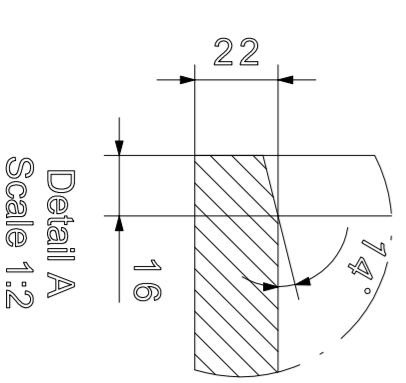
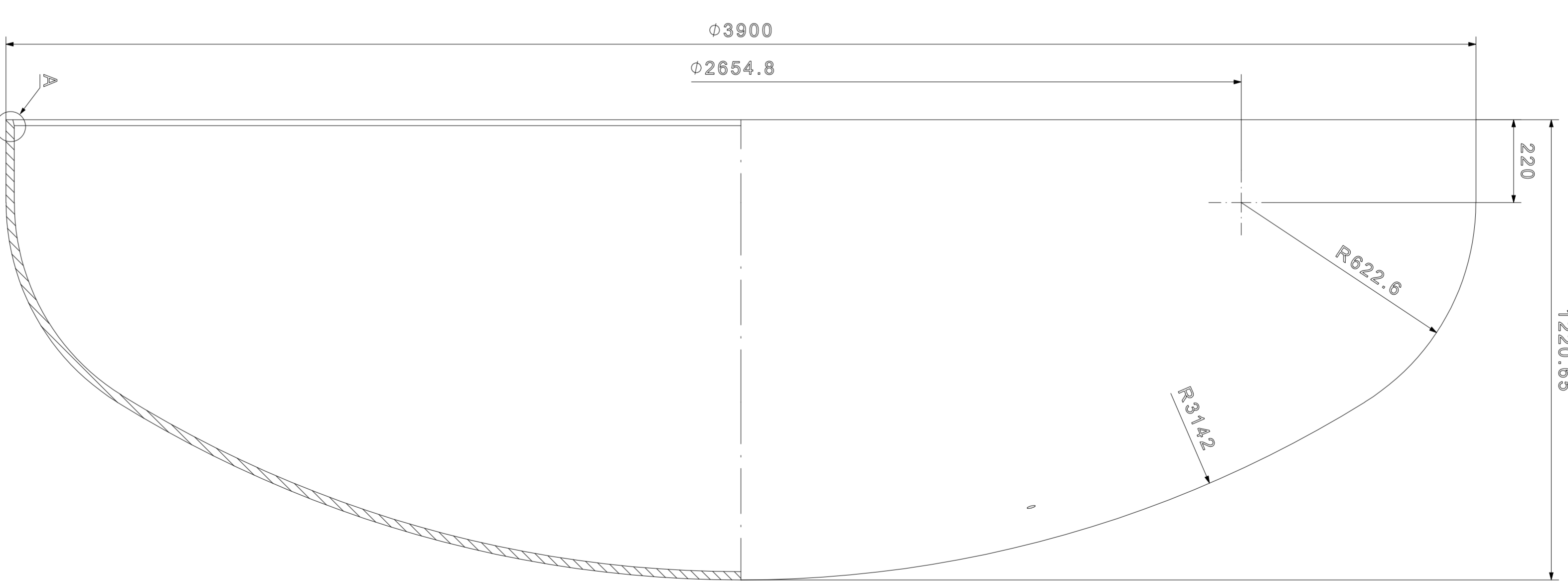
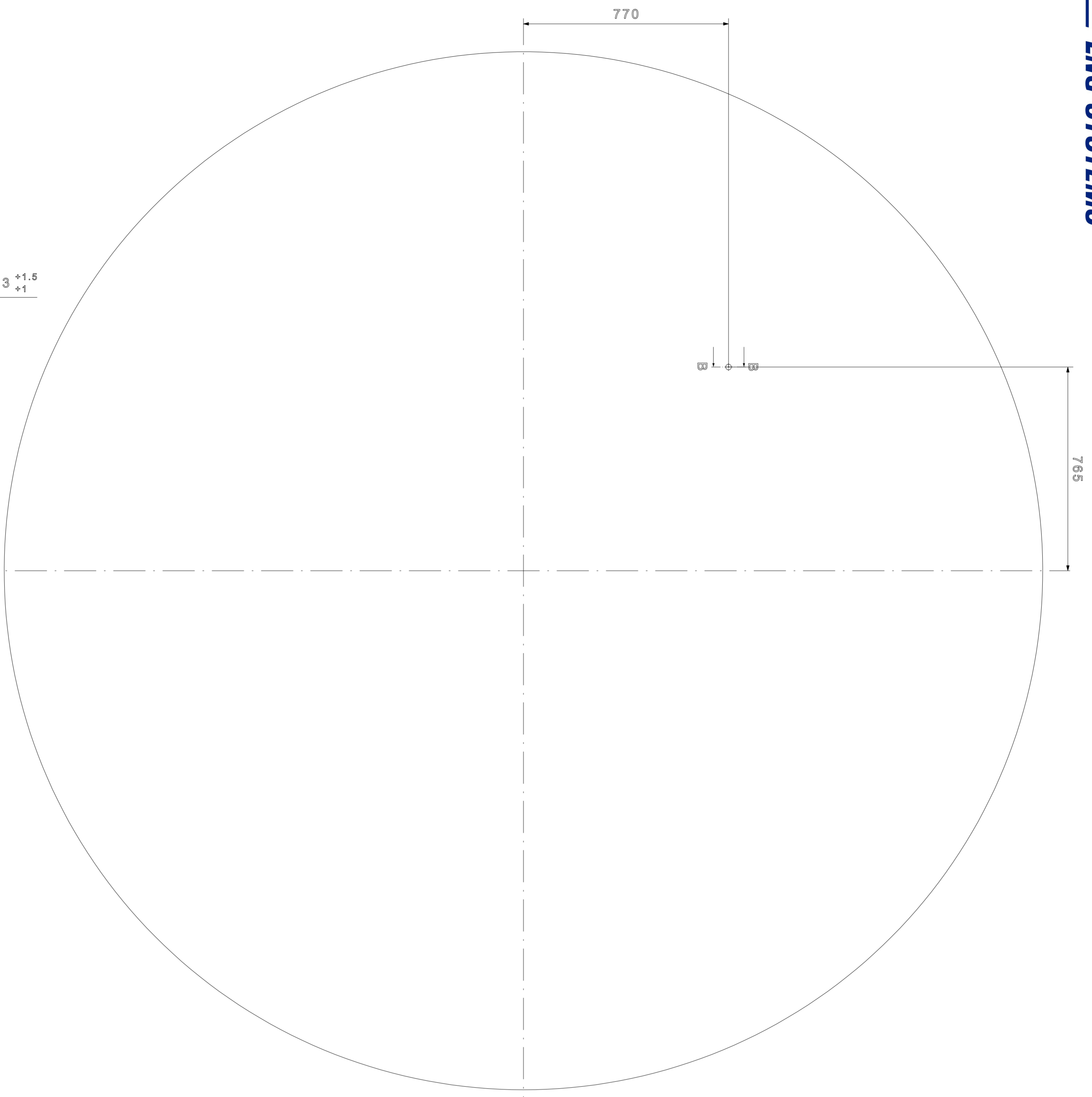


REVISION	DATE	CHANGE DESCRIPTION	PROVIDE BY
01	2019-03-27	Standards were changed, dimensions were added.	Biganowski
02	2019-11-09	Drawing number has been changed, hole has been added, number of elements has been changed.	Biganowski



- REMARKS:**
1. Dimensions without tolerance in accordance with ISO 13920-BF, ISO 2768-mK.
  2. Part make in accordance with DIN 28013.
  3. Minimum thickness of a dish end should not be less than 22 mm.

DRAWINGS ARE PROPERTY OF REMONTOWA LNG SYSTEMS. 2. COPIES AND REPRODUCTIONS OF THIS DRAWING OR MADE AVAILABLE TO THIRD PARTIES WITHOUT PERMISSION.		DRAWING TITLE	
DREW: mgr inż. M. Biganowski		Dish end (with hole)	
CHECKED: dr inż. J. Polkowiak	DATE: 2019-11-16	SIZE: A1	DRAWING NUMBER: RLS.01.032.02
DESIGNED: dr hab. inż. J. Skrzypacz	DATE:	SCALE: 1:10	WEIGHT (kg): 3 300,19
		QUANTITY: 1	SHEET: 1/1
			REVISION: 02