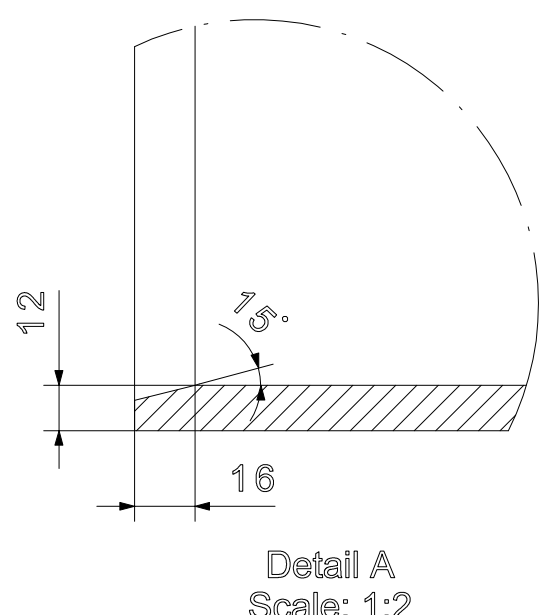
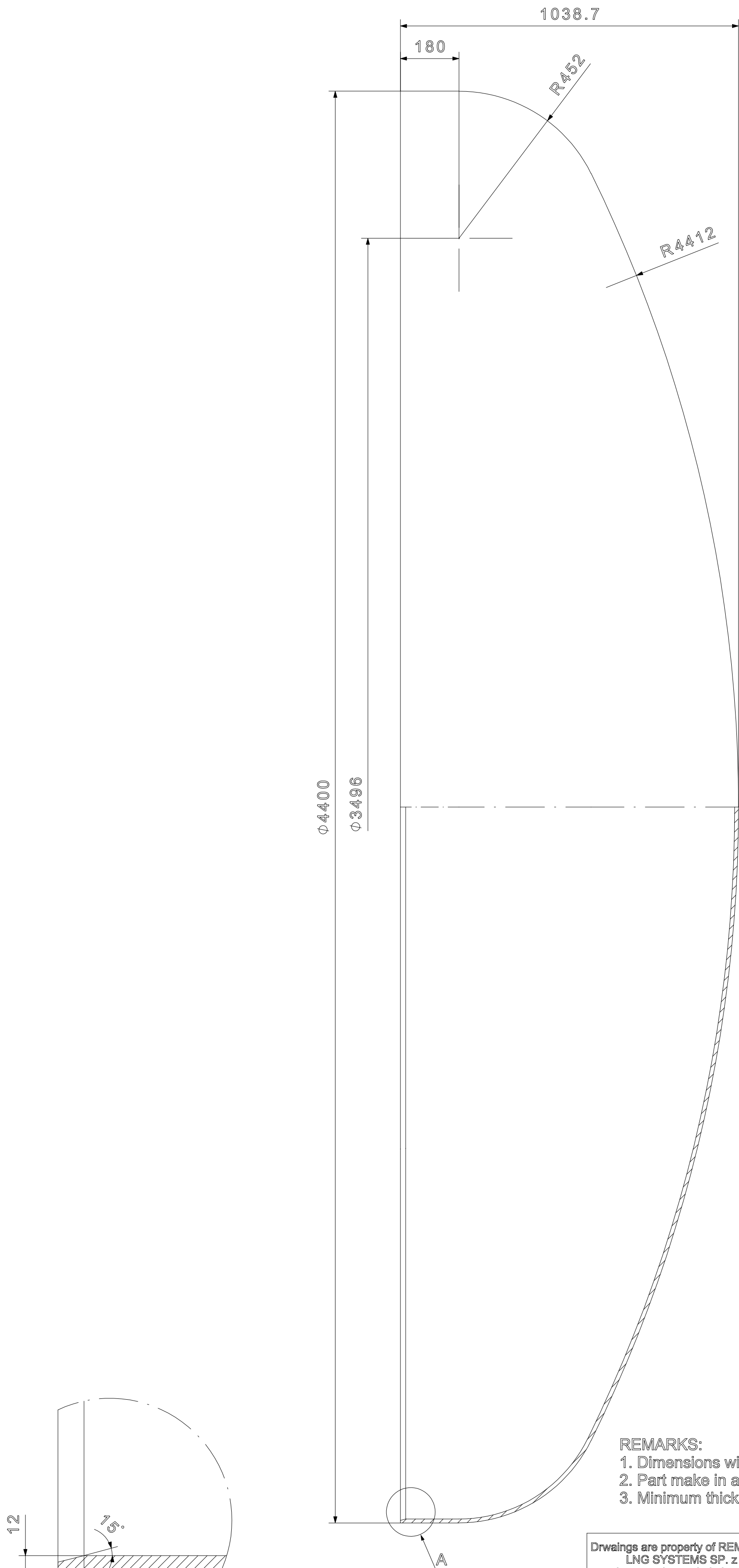


REVISION	DATE	CHANGE DESCRIPTION	PROVIDE BY
01	2019-03-27	Dimension has been added.	Bieganski
02	2019-11-09	Remarks has been updated.	Bieganski



- REMARKS:
1. Dimensions without tolerance in according to ISO 13920-BF, ISO 2768-mK.
 2. Part make in according to DIN 28011.
 3. Minimum thickness of a dish end should not be less than 12 mm.

Drawings are property of REMONTOWA LNG SYSTEMS SP. z o.o. and can not be copied, photographed or made available to third parties without permission.					
DREW		DRAWING TITLE			
mgr inż. M. Bieganski		Dish end			
CHECKED	DATE	SIZE	DRAWING NUMBER	MATERIAL	REVISION
dr inż. J. Polński	2018-11-15	A2	RLS.01.003	1.4307	02
DESIGNED	DATE	SCALE	WEIGHT (kg)	QUANTITY	SHEET
dr hab. inż. J. Skrzypacz		1:10	2 032,37	1	1/1